

**Board 1**  
North Deals  
None Vul

	♠ 7 4	
	♥ J 10 5	
	♦ K 8 7 6 3 2	
	♣ K 5	
♠ J 8 3		♠ K Q 10 9
♥ A K 8 7		♥ 4 3 2
♦ 9		♦ 5 4
♣ A 10 8 6 4		♣ Q 9 7 2
	♠ A 6 5 2	
	♥ Q 9 6	
	♦ A Q J 10	
	♣ J 3	

NS 2N; EW 2♠; EW 2♥; NS 3♦; EW 3♣;  
Par +100: EW 3♥×-1; EW 3♠×-1; EW 4♣×-1

**Board 2**  
East Deals  
N-S Vul

♠ A J 10 8 7 5		♠ K Q 9 4		
♥ 4		♥ 8 5 3 2		
♦ A 7 6 4		♦ Q 8		
♣ K 9		♣ A Q 8		
	W	N	E	
		S		
		♠ 2		♠ 6 3
		♥ A 10 6		♥ K Q J 9 7
		♦ 9 5 3		♦ K J 10 2
		♣ J 10 6 4 3 2		♣ 7 5

W 2♠; W 2♥; EW 3♦; NS 1N; NS 2♣; E 1♠; E 1♥;  
Par -110: EW 2♦+1; W 2♥=; W 2♠=

**Board 3**  
South Deals  
E-W Vul

♠ Q 7 4		♠ A K 9
♥ 5 2		♥ 10 8 3
♦ J 8 3		♦ Q 6 4
♣ A K Q J 4		♣ 9 8 3 2
	♠ N	♠ J 10 5 3
	W E	♥ A 7 4
	S	♦ K 10 7 2
		♣ 10 6
		♠ 8 6 2
		♥ K Q J 9 6
		♦ A 9 5
		♣ 7 5

EW 2♦; EW 2♣; EW 1♠; NS 1♥; Par -90: EW 2♣=; EW 2♦=

**Board 4**

West Deals

Both Vul

♠ K 8 5  
♥ A K 3  
♦ Q 5 3  
♣ J 9 3 2

♠ A 9 3  
♥ Q J 8  
♦ A 7 6 4 2  
♣ A 8



♠ J 10 7 4 2  
♥ 5 2  
♦ J 10  
♣ Q 10 7 6

♠ Q 6  
♥ 10 9 7 6 4  
♦ K 9 8  
♣ K 5 4


S 4♥; N 3♥; S 2N; NS 3♦; N 1N; EW 1♠; EW 1♣; Par +620: S 4♥=

**Board 5**  
North Deals  
N-S Vul

	♠ K 9 8 3	
	♥ Q 3 2	
	♦ A Q J 4	
	♣ 10 4	
♠ Q 10 6		♠ J 7 5
♥ A J 10 9 8 6	W N E	♥ K
♦ 9 3	S	♦ K 10 6 5 2
♣ 7 2		♣ Q J 5 3
	♠ A 4 2	
	♥ 7 5 4	
	♦ 8 7	
	♣ A K 9 8 6	

NS 3N; N 3♠; S 2♠; NS 2♦; NS 2♣; EW 1♥; Par +500: EW 4♥×-3

**Board 6**  
East Deals  
E-W Vul

♠ A K Q 4		♠ J 9 8 2	
♥ J 8 7 5		♥ K 4 3	
♦ J 9		♦ A Q 5	
♣ 10 7 3		♣ Q 8 6	
			
		♠ 7	
		♥ 10 6	
		♦ K 8 6 4 3 2	
		♣ K 5 4 2	
		♠ 10 6 5 3	
		♥ A Q 9 2	
		♦ 10 7	
		♣ A J 9	

NS 2N; NS 2♠; NS 1♥; EW 1♦; Par +120; NS 1N+1

**Board 7**  
South Deals  
Both Vul

♠ A K Q		♠ J 9 8 7 5 2
♥ 8 6		♥ 9 7 4
♦ A J 5		♦ 4 2
♣ 10 7 5 3 2		♣ 8 4
	♠ N	♠ 10 6 3
	W E	♥ Q J 5 2
	S	♦ K Q 7 3
		♣ Q J
		♠ 4
		♥ A K 10 3
		♦ 10 9 8 6
		♣ A K 9 6

E 3N; W 2N; EW 2♦; EW 2♣; NS 1♠; Par -600; E 3N=

**Board 8**

West Deals

None Vul

		♠ J 7 5 3 2		
		♥ 10 9 4 2		
		♦ 5		
		♣ J 9 8		
♠ Q			♠ A K 6	
♥ A J 5			♥ K 7 6	
♦ K Q J 10 8 3 2	W		♦ 7 6	E
♣ Q 10			♣ A 7 6 4 3	
		♠ 10 9 8 4		
		♥ Q 8 3		
		♦ A 9 4		
		♣ K 5 2		

E 6N; EW 6♦; W 5N; EW 4♥; EW 4♣; EW 2♠; Par -990: E 6N=



**Board 9**

North Deals  
E-W Vul

	♠ 8 6		
	♥ A 10 8 7		
	♦ 9 8 5 4		
	♣ J 9 4		
♠ Q J 10 4 3 2		♠ —	
♥ J 9 3		♥ Q 5 2	
♦ J		♦ K Q 10 7 6 2	
♣ 10 7 5		♣ Q 8 6 3	
	♠ A K 9 7 5		
	♥ K 6 4		
	♦ A 3		
	♣ A K 2		


NS 3N; NS 3♥; NS 2♠; NS 1♦; NS 1♣; Par +400: NS 3N=

**Board 10**  
East Deals  
Both Vul

♠ K 10 7 2		♠ Q 3
♥ K J 10 2		♥ Q 9 8 4
♦ 5 3 2		♦ A 10 9 6
♣ 9 5		♣ J 6 2
	♠ J 9 8 5	
	♥ A 5 3	
	♦ Q 4	
	♣ A Q 8 7	
	♠ A 6 4	
	♥ 7 6	
	♦ K J 8 7	
	♣ K 10 4 3	

NS 2N; EW 2♠; NS 3♦; NS 2♣; Par +120; NS 2N=

**Board 11**  
 South Deals  
 None Vul

♠ Q 10 4 3 ♥ A K 10 5 ♦ 7 4 2 ♣ 8 7		♠ 6 ♥ Q 9 6 3 ♦ Q J 10 9 ♣ Q J 5 4	♠ K J ♥ 8 ♦ A K 8 6 3 ♣ A K 9 6 3
♠ A 9 8 7 5 2 ♥ J 7 4 2 ♦ 5 ♣ 10 2			

EW 3N; EW 4♦; EW 2♠; EW 2♣; EW 1♥; Par -400; EW 3N=

**Board 12**  
West Deals  
N-S Vul

♠ A 9 7 4		♠ Q J 10 3 2	
♥ K 10 8 5 2		♥ Q 6 3	
♦ 5		♦ Q 10 3	
♣ A J 4		♣ 8 7	
	♠ 5		
	♥ J 9 4		
	♦ K J 9 8 2		
	♣ K Q 9 5		
	♠ K 8 6		
	♥ A 7		
	♦ A 7 6 4		
	♣ 10 6 3 2		

EW 4♥; EW 2N; EW 3♦; EW 3♣; NS 1♠; Par -420: EW 4♥=

**Board 13**  
North Deals  
Both Vul

♠ A Q 6	♠ K 10 9 8	♠ J 7 4 2
♥ 4 2	♥ A Q J 9	♥ 8
♦ A 6 3 2	♦ J	♦ K Q 7 5 4
♣ A K 8 2	♣ Q 9 6 3	♣ J 5 4
	♠ 5 3	
	♥ K 10 7 6 5 3	
	♦ 10 9 8	
	♣ 10 7	

EW 3♠; NS 3♥; EW 4♦; EW 3♣; EW 1N; Par -140: EW 3♠=

**Board 14**  
East Deals  
None Vul

	♠ A 10 6 5 4	
	♥ 9 8 6	
	♦ J 10	
	♣ K J 6	
♠ Q J		♠ 7 3 2
♥ 3 2		♥ Q J 7 5 4
♦ A 9 8 6 3 2	W N E	♦ K Q
♣ Q 5 4	S	♣ A 7 3
	♠ K 9 8	
	♥ A K 10	
	♦ 7 5 4	
	♣ 10 9 8 2	

NS 4♠; NS 2♥; NS 3♣; EW 1♦; Par +420: NS 4♠=

**Board 15**  
South Deals  
N-S Vul

♠ 7 5		♠ Q 6 4
♥ K Q 9		♥ A 10 7
♦ 7 5 4 3		♦ A Q
♣ 7 6 3 2		♣ A K 9 8 4
	♠ N	♠ A 10 8
	W E	♥ 6 5 4 2
	S	♦ K J 10 8
		♣ Q J
		♠ K J 9 3 2
		♥ J 8 3
		♦ 9 6 2
		♣ 10 5

NS 5♠; N 4N; S 3N; N 3♥; NS 4♣; S 2♥; NS 1♦;  
Par +650: NS 4♠+1

**Board 16**  
West Deals  
E-W Vul

♠ 2		♠ A Q 10 7 6 3
♥ K 10 6 5		♥ —
♦ K Q 4		♦ 8 7 6 5 2
♣ Q J 9 6 2		♣ 10 7
	♠ K 9 8 4	
	♥ A Q 8	
	♦ 10 9 3	
	♣ A K 3	
	♠ J 5	
	♥ J 9 7 4 3 2	
	♦ A J	
	♣ 8 5 4	

EW 4N; EW 3♥; W 4♣; E 3♣; W 2♦; NS 1♠; E 1♦;  
Par -630: EW 4N=



**Board 17**  
North Deals  
None Vul

	♠ J 10 3 2	
	♥ A K J 3	
	♦ J 5	
	♣ A K 8	
♠ 6 5 4		♠ A K Q 8 7
♥ Q 9 6 5 2		♥ 10 8
♦ K 9 4		♦ Q 7
♣ J 10		♣ Q 9 7 3
	♠ 9	
	♥ 7 4	
	♦ A 10 8 6 3 2	
	♣ 6 5 4 2	

NS 3♦; NS 1N; NS 2♣; W 1♠; NS 1♥; Par +110; NS 3♦=

**Board 18**  
East Deals  
N-S Vul

	♠ A Q 8 7 4	
	♥ Q J	
	♦ 6	
	♣ J 9 6 5 4	
♠ 9		♠ 10 5 3
♥ A 10 7		♥ 8 5 2
♦ A K Q 10 5	W N E	♦ J 8 4 3 2
♣ K 10 3 2	S	♣ 8 7
	♠ K J 6 2	
	♥ K 9 6 4 3	
	♦ 9 7	
	♣ A Q	

NS 4♠; NS 3♥; EW 3♦; NS 2♣; Par +300: EW 5♦ ×-2

**Board 19**  
South Deals  
E-W Vul

♠ K J 6		♠ 7 4 2
♥ A Q J 5 2		♥ K
♦ A J		♦ Q 9 8 7 2
♣ A Q 6		♣ K 10 9 2
	♠ A Q 10 8 5 3	
	♥ 9 8 3	
	♦ 6	
	♣ 8 7 4	
	♠ 9	
	♥ 10 7 6 4	
	♦ K 10 5 4 3	
	♣ J 5 3	


EW 7N; EW 7♠; EW 6♥; NS 3♦; EW 2♣; Par -2220: EW 7N=

**Board 20**  
West Deals  
Both Vul

	♠ K 10 8 3	
	♥ 10 8 5	
	♦ Q 3	
	♣ 9 8 5 3	
♠ Q 5 4		♠ A J 9
♥ A K 9 7 3		♥ Q 6 4
♦ K 6 5		♦ A 7 4
♣ J 10		♣ A K 7 6
	♠ 7 6 2	
	♥ J 2	
	♦ J 10 9 8 2	
	♣ Q 4 2	


EW 6N; EW 6♥; EW 6♣; EW 5♠; EW 4♦; Par -1440; EW 6N=

**Board 21**  
North Deals  
N-S Vul

♠ J 10	♠ K 6 5 3 2	♠ 7
♥ Q 9 7 6	♥ K 2	♥ A 10 4
♦ 10 8 6 5	♦ K Q 7	♦ A J 3 2
♣ A 8 3	♣ K Q J	♣ 10 7 6 5 2
		
	♠ A Q 9 8 4	
	♥ J 8 5 3	
	♦ 9 4	
	♣ 9 4	

NS 3♠; NS 2N; EW 2♦; EW 2♣; EW 1♥; Par +140: NS 3♠=

**Board 22**  
East Deals  
E-W Vul

	♠ 8 4	
	♥ J 7 3	
	♦ A J 2	
	♣ J 9 6 4 2	
♠ A Q 10 7 6 3		♠ J 9 5 2
♥ K 10		♥ Q 6 2
♦ Q 9 6		♦ 10 8 7 5 3
♣ 5 3		♣ 10
	♠ K	
	♥ A 9 8 5 4	
	♦ K 4	
	♣ A K Q 8 7	

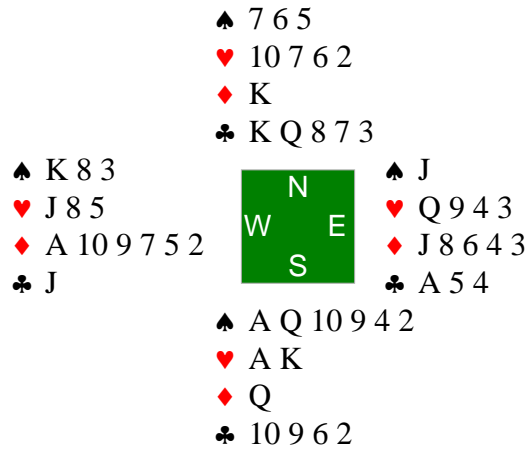
NS 4♥; NS 5♣; EW 2♠; NS 1N; EW 1♦; Par +420: NS 4♥=

**Board 23**  
South Deals  
Both Vul

♠ K J 5	♠ Q 4 3	♠ 9 8 7
♥ J 9 8	♥ A K Q 10 4	♥ 7 5 2
♦ 10 9 8 4	♦ A 7 5 2	♦ K Q J
♣ A K 2	♣ 8	♣ Q J 7 3
	♠ A 10 6 2	
	♥ 6 3	
	♦ 6 3	
	♣ 10 9 6 5 4	

NS 3♠; NS 2♥; NS 1N; NS 1♦; NS 1♣; Par +140: NS 1♠+2


**Board 24**  
West Deals  
None Vul



NS 3♠; EW 4♦; S 4♣; EW 2♥; N 3♣; EW 1N;  
Par -100: NS 4♠×-1; S 5♣×-1



**Board 25**  
North Deals  
E-W Vul

♠ 4 3 2	♠ A Q 10 9 5	♠ K
♥ A 8 7 5	♥ Q 9	♥ 10 4 2
♦ A Q J 4	♦ K 9 2	♦ 6 5 3
♣ Q 8	♣ J 9 3	♣ A K 10 7 6 4
		
	♠ J 8 7 6	
	♥ K J 6 3	
	♦ 10 8 7	
	♣ 5 2	

EW 4♣; EW 2N; NS 2♠; EW 2♥; EW 2♦; Par -130: EW 4♣=

**Board 26**  
East Deals  
Both Vul

♠ K 7 5 4		♠ A 10 9 6 2
♥ A 7 5		♥ Q 3
♦ A Q 9 5 3		♦ K
♣ J		♣ A 5 4 3 2
	♠ Q 8	
	♥ K 9 4 2	
	♦ J 8 2	
	♣ K 10 9 7	
	♠ J 3	
	♥ J 10 8 6	
	♦ 10 7 6 4	
	♣ Q 8 6	

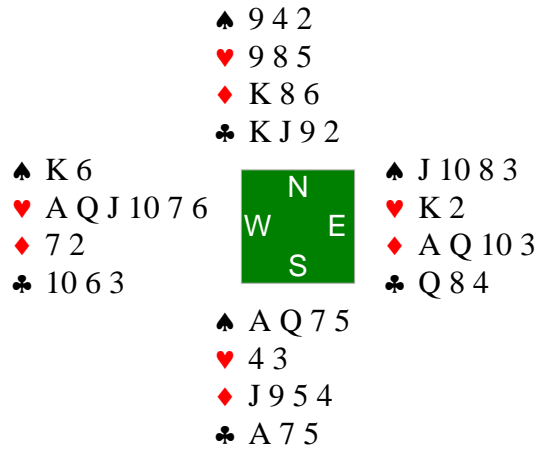
EW 3N; EW 3♥; EW 4♦; EW 2♠; Par -600: EW 3N=

**Board 27**  
South Deals  
None Vul

♠ A 10 4		♠ K
♥ 8 6 5		♥ K J 10 9 7 4 2
♦ A Q 3		♦ 10 8 4 2
♣ A Q 6 2		♣ 3
	♠ J 9 8 7 5 3 2	
	♥ A	
	♦ 9 5	
	♣ 8 5 4	
	♠ Q 6	
	♥ Q 3	
	♦ K J 7 6	
	♣ K J 10 9 7	


EW 5♠; NS 2♥; EW 2♣; NS 1♦; Par -450: EW 4♠+1

**Board 28**  
West Deals  
N-S Vul



E 3N; EW 3♥; W 2N; EW 1♠; E 1♦; E 1♣; Par -400; E 3N=

**Board 29**  
North Deals  
Both Vul

	♠ K J 10 8	
	♥ A 10 6 2	
	♦ 6	
	♣ A 9 8 4	
♠ A 4 2		♠ 9 7 6
♥ 9 8 4		♥ Q 5
♦ K 5 2		♦ A 10 9 4
♣ K J 10 2		♣ Q 7 6 3
	♠ Q 5 3	
	♥ K J 7 3	
	♦ Q J 8 7 3	
	♣ 5	

NS 4♥; NS 3♠; NS 1N; NS 2♦; Par +620: NS 4♥=

**Board 30**  
 East Deals  
 None Vul

♠ K 7 5	♠ Q 9 8 6 4	♠ A J 10
♥ A K 10 4	♥ 7 3 2	♥ 9 8 5
♦ 9 6 5	♦ K 4	♦ A J 10 7 2
♣ K 10 4	♣ Q 8 6	♣ 3 2


  

♠ 3 2	♠ A J 10
♥ Q J 6	♥ 9 8 5
♦ Q 8 3	♦ A J 10 7 2
♣ A J 9 7 5	♣ 3 2



EW 5♥; EW 3N; EW 5♦; EW 3♠; EW 1♣; Par -450; EW 4♥+1

**Board 31**  
 South Deals  
 N-S Vul

♠ A 10 6 ♥ 8 7 5 3 ♦ 9 6 3 ♣ K 7 4		♠ K Q 9 ♥ J 9 6 2 ♦ A K 5 ♣ Q 10 6	♠ J 8 7 ♥ A K Q 10 4 ♦ 10 8 7 ♣ J 8
		♠ 5 4 3 2 ♥ — ♦ Q J 4 2 ♣ A 9 5 3 2	

NS 5♣; NS 3♠; NS 4♦; W 1N; EW 1♥; Par +600; NS 5♣=

**Board 32**  
West Deals  
E-W Vul

	♠ Q 9 5		
	♥ J 10 5 2		
	♦ 8 7 6 3		
	♣ 6 4		
♠ A 2		♠ K 8 6	
♥ A 9 4 3		♥ K Q 8 7 6	
♦ K 10 4 2		♦ J 9	
♣ K 8 3		♣ J 10 9	
	♠ J 10 7 4 3		
	♥ —		
	♦ A Q 5		
	♣ A Q 7 5 2		

EW 5♥; EW 3N; EW 2♦; NS 1♠; EW 1♣; Par -650: EW 5♥=




**Board 33**  
North Deals  
None Vul

	♠ K 7 4 3	
	♥ J 10 5 4	
	♦ A K J 10	
	♣ 6	
♠ Q 6		♠ A 10 9 2
♥ 6		♥ A K 3 2
♦ Q 9 5 3 2	W N E	♦ 6
♣ K 9 5 4 2	S	♣ A Q J 3
	♠ J 8 5	
	♥ Q 9 8 7	
	♦ 8 7 4	
	♣ 10 8 7	

EW 6♣; EW 3N; W 3♠; E 2♠; EW 3♦; EW 1♥; Par -920; EW 6♣=

**Board 34**  
East Deals  
N-S Vul

♠ A K J 6 3		♠ 9 7 5
♥ 6 4		♥ 10 7 5
♦ A 8		♦ Q 10 9 5 3
♣ A 9 7 5		♣ K 2
		♠ —
		♥ A K Q J 3
		♦ J 7 4 2
		♣ 10 6 4 3
		♠ Q 10 8 4 2
		♥ 9 8 2
		♦ K 6
		♣ Q J 8

EW 4N; EW 4♥; EW 5♣; EW 3♠; EW 3♦; Par -430; EW 3N+1

**Board 35**  
South Deals  
E-W Vul

♠ A K 5 3	♠ 9 7	♠ 2
♥ K J 2	♥ 10 8 7 5 4	♥ A Q 9 6 3
♦ A 3	♦ 4 2	♦ J 8 6
♣ K J 6 5	♣ 10 7 3 2	♣ Q 9 8 4
		♠ Q J 10 8 6 4
		♥ —
		♦ K Q 10 9 7 5
		♣ A

E 5N; EW 5♥; W 3N; EW 5♣; NS 2♠; NS 2♦; Par -660: E 5N=

**Board 36**  
West Deals  
Both Vul

♠ J 9 8 6	♠ 3 2	♠ A K 7 5
♥ Q 2	♥ K 8 6 3	♥ A 9 7 5 4
♦ A 10 9 4	♦ Q 6 2	♦ K
♣ Q 10 5	♣ J 6 3 2	♣ 9 8 4

♠ Q 10 4  
♥ J 10  
♦ J 8 7 5 3  
♣ A K 7

W N E  
S

EW 3♠; EW 3♥; EW 2N; EW 1♦; EW 1♣;  
Par -140: EW 1♥+2; EW 1♠+2